

BEECHER 60" CAST IRON ROLL TOP TUB WITH 7" DECK HOLES

Cat. No.
CTR7H60



L: 60"
W: 30-1/8"
H: 22-3/4" (from floor to top of tub)
19-1/4" (from bottom of tub to top of tub)



The following is recommended for CTR7H60 tubs:

- Rim-mounted faucet: part #4601 or 4201
- Straight bath supplies: part #5577
- Leg tub drain: part #5599
- Complete shower unit: Part# 4045, 4062, or 4063

Gallon Capacity:	40
Shipping Weight:	500 lbs.
Empty Weight:	287 lbs.
Filled Weight:	621 lbs.

Features:

- ▶ Inside finish is white enamel
- ▶ Cast iron ball and claw feet
- ▶ Tub exterior is white (epoxy)
- ▶ 7" centers in tub deck
- ▶ Non-skid strips
- ▶ Feet are attached and leveled before shipment
- ▶ Tub is thoroughly inspected before shipment

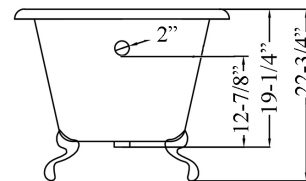
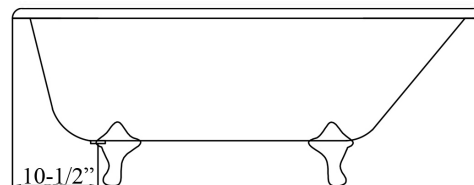
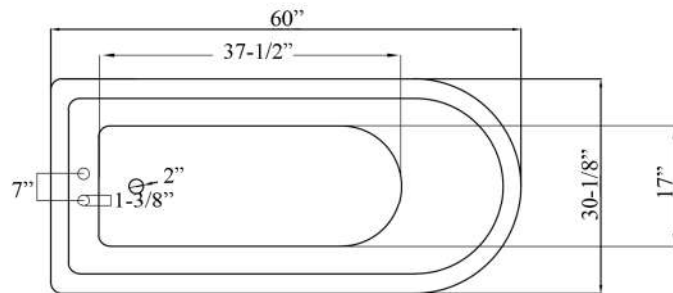
Foot Finishes:

UF Unfinished
BL Painted Black
BQ Painted Bisque
PB Polished Brass



CP Polished Chrome
WH Painted White
PN Polished Nickel
SN Brushed Nickel
ORB Oil Rubbed Bronze

Custom Colors Available (inside of tub is always white enamel):
Painted bathtubs are considered "special order" and are not returnable
\$160 Bisque or Black \$250 Designer Color



TUB FILLER WITH DIVERTER, HANDSHOWER SHOWERHEAD & RING

Cat. No.

4063



Features:

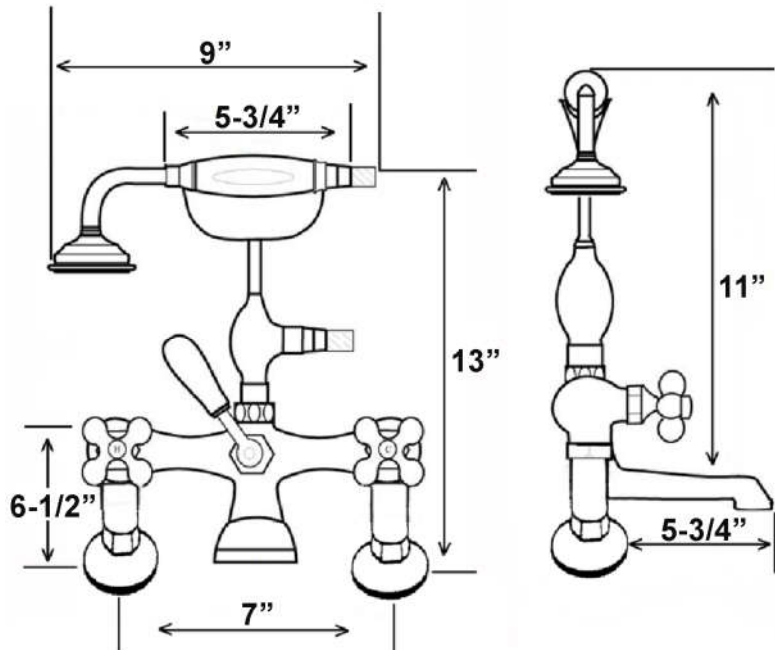
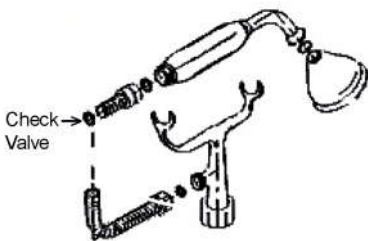
- ▶ Elephant spout has a flow rate of 3.7 GPM
- ▶ Telephone style handshower with cradle and 59" hose
- ▶ Backflow preventor in handshower
- ▶ Sunflower showerhead has flow rate of 2.44 GPM
- ▶ Includes 62" riser and rectangular shower rod
- ▶ 6" Elbow mounts included
- ▶ ¼ Turn ceramic disc cartridges
- ▶ 7" Centers for deck mounting installation on acrylic or cast iron tubs
- ▶ Flow rate for handshower is 2.5 GPM
- ▶ Available with porcelain lever (**4063-PL**) or metal cross (**4063-MC**) handles
- ▶ Includes wall support **4195WS**
- ▶ Can be used with freestanding supplies (**#4502-PL**) or straight bath supplies (**#5577**) depending on application

Finishes:

BP Polished Brass
CP Polished Chrome
PN Polished Nickel

SN Brushed Nickel
ORB Oil Rubbed Bronze

Shower Rod: 48"W x 24"D
Wall Support: 10"
Ceiling Support: 30"
Spout Length: 5-¾"



Dimensions are nominal and may vary. Dimensions and specifications subject to change without notice.

STRAIGHT BATH SUPPLIES

Cat.No.

5577



H: 24"

OD: 1/2"

Interior Dimensions:

Basin Interior: 13" x 11 7/8"

Basin Depth: 7 1/2"

Mount bolts height: 30"

Mount holes cc: 6"

Spout hole: 1 3/8"

Features:

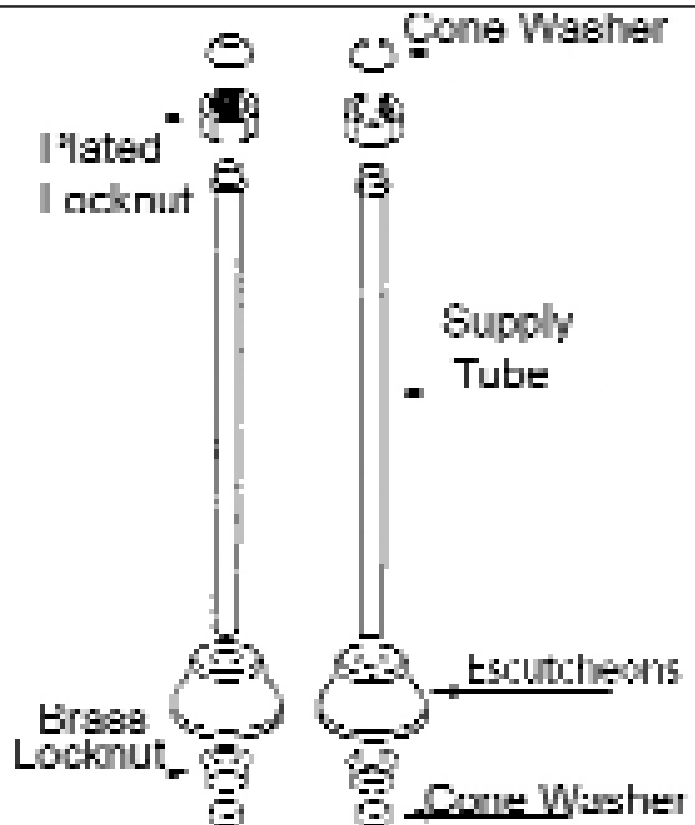
- ▶ For use with faucets mounted to the tub deck
- ▶ No stops
- ▶ 1/2" Compression inlet
- ▶ 3/4" Compression outlet
- ▶ Bottom flange 2-1/2" diameter
- ▶ 0.500" Outer diameter
- ▶ 0.400" Inner diameter
- ▶ 0.030" Thickness of the wall
- ▶ Available in 5 Finishes

Compliance Certification

Meets or exceeds the following specifications: ASME-A112 (and 19.6M) for Vitreous china fixtures. ASME 112.19.9M for fire clay fixtures.

Finishes:

- CP Polished Chrome
- SN Brushed Nickel
- BP Polished Brass
- ORB Oil Rubbed Bronze
- PN Polished Nickel



Use on concrete floors requires special installation. We recommend using a plumbing professional.

Dimensions and specifications subject to change without notice.

LEG TUB DRAIN

Cat. No.
5599



Escutcheon Height: 1-1/4"

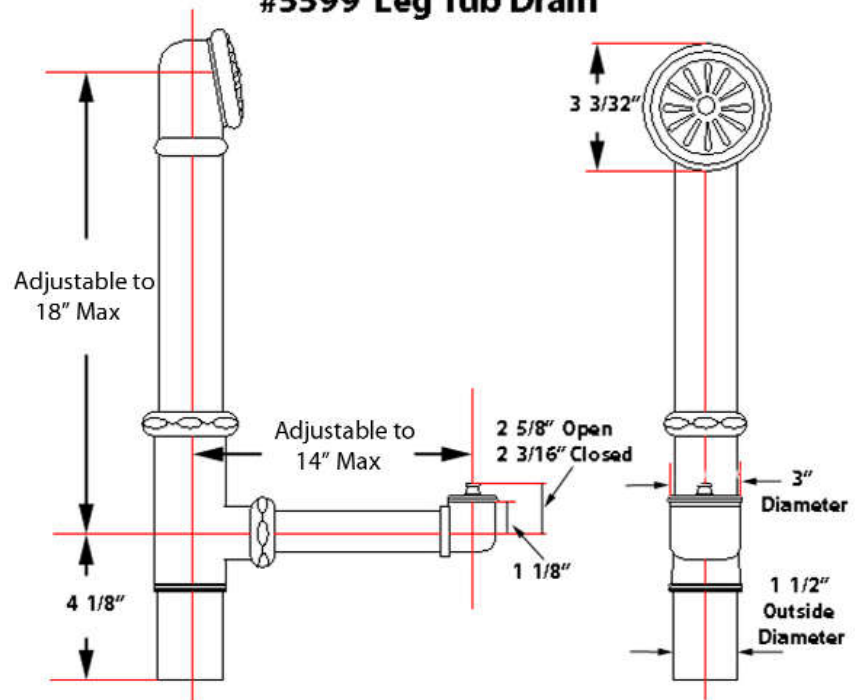
Features:

- ▶ Twist-and-lift stopper
- ▶ Includes deep escutcheon
- ▶ Height adjustable 15"-18"
- ▶ Depth adjustable 12"-14"
- ▶ Includes deep escutcheon
- ▶ IAPMO approved
- ▶ Available in 5 Finishes

Finishes:

- CP** Polished Chrome
- BP** Polished Brass
- SN** Brushed Nickel
- PN** Polished Nickel
- ORB** Oil Rubbed Bronze

#5599 Leg Tub Drain



Dimensions and specifications subject to change without notice.